

Self crocheted shopping bag

Instructions No. 1957

Difficulty: Challenging

Working time: 0 Minutes

A self crocheted shopping bag looks great, is environmentally friendly and takes up hardly any space when transported unfilled. Find out here how you can make this pretty bag yourself.



Diagramm

— = 1 Luftmasche

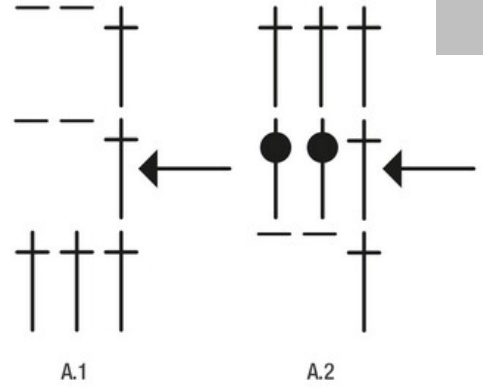


= 1 Stäbchen in die Masche



= 1 Stäbchen um den Luftmaschenbogen

← = mit dieser Runde beginnen - vorherige Runde wurde bereits gehäkelt

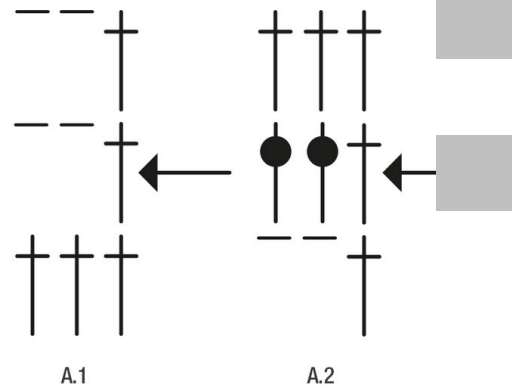


Diagramm

— = 1 Luftmasche



wurde bereits gehäkelt



Cotton yarn "puppets Lyric", 8/8, Colour 0248

4,40 CHF

(1 kg = 88,00 CHF)

[Item details](#)

Quantity:

1

Add to shopping cart

